

Blumax Speech 001

User Manual

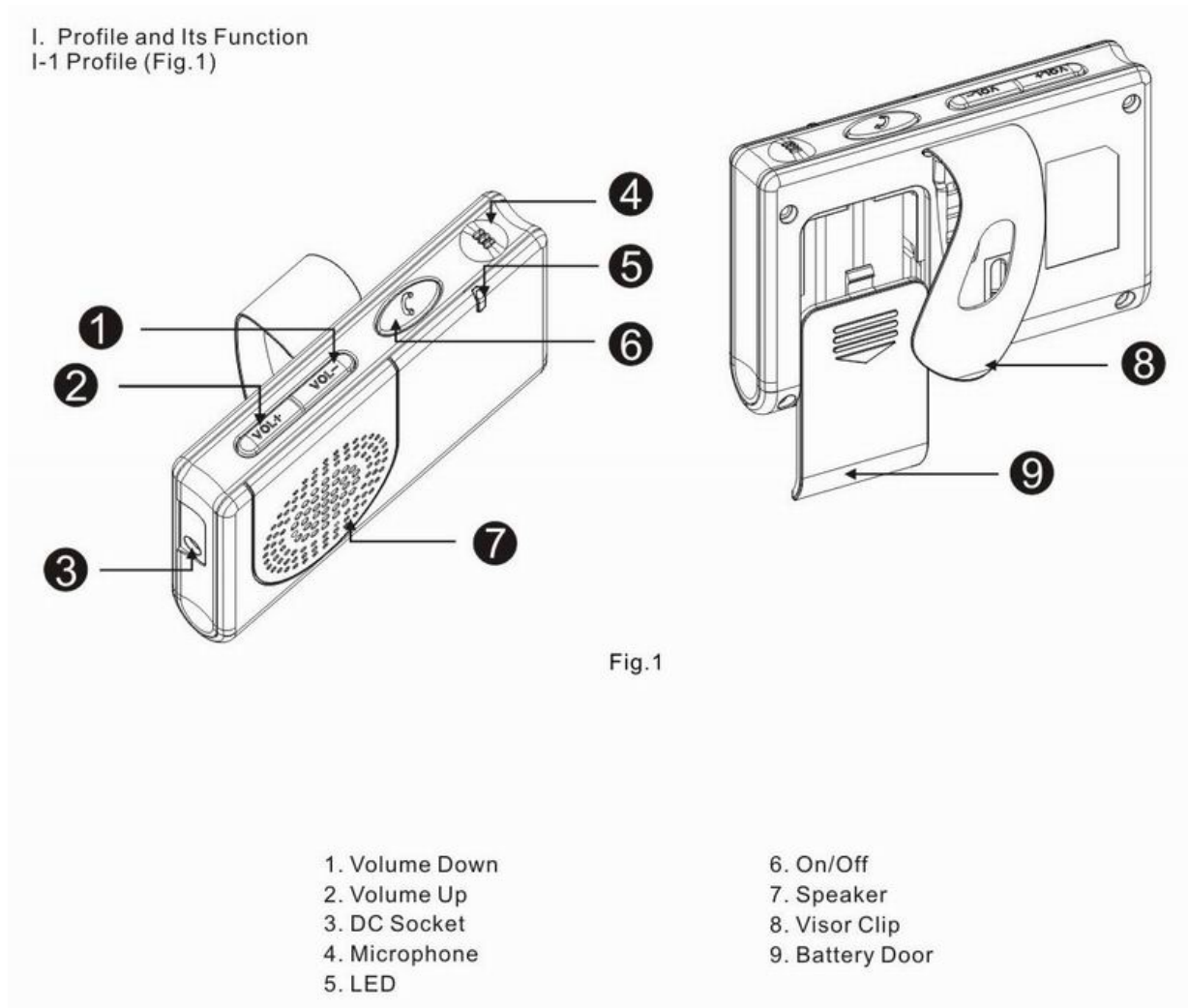


Table of Content

I.	Profile and Its Function	3
	I-1 Profile.....	3
	I-2 Function	3
II.	How to Use	4
	II-1 Charge the Batteries	5
	II-2 Turn on the Blumax Speech 001	5
	II-3 Pair the Blumax Speech 001 with Your Bluetooth Mobile Phone	5
	II-4 Establish Bluetooth Link.....	6
	II-5 Clip the Blumax Speech 001 under Your Sun Visor	6
	II-6 Answer an Incoming Call	6
	II-7 Transfer Calls between This Blumax Speech 001 and Your Bluetooth Phone	6
	II-8 Make a New Call by Using Voice Dialing	7
	II-9 Answer the call waiting	7
	II-10 Mute the Microphone	7
	II-11 End a Call	7
	II-12 Reject a Call	7
	II-13 Redial Last Dialed Number	7
	II-14 Adjust the Speaker Volume.....	8
	II-15 Recharge the Low Batteries.....	8
	II-16 Turn off the Blumax Speech 001	8
	II-17 Auto connection to the Bluetooth Mobile Phone	8
	II-18 Auto power off.....	8
III.	Maintenance and Safe Use.....	9
IV.	Electrical Power Specification of Car Charger/AC Power Adaptor for BLUMAX SPEECH 001	9
V.	Package Contents	9
	FCC Interference statement	10
	Declaration of Conformity.....	11

I. Profile and Its Function

I-1. Profile



I-2. Function (please refer to Fig.1)

I-2-1. On/Off

If you press “On/Off”, you can:

- Switch on and Off
- Pair
- Answer a new call
- Reject a call
- Make a new call using voice dialing

I-2-2. Volume Up

- Increase the speaker volume
- To mute/un-mute the microphone

I-2-3. Volume Down

- Redial the last dialed number
- Decrease the speaker volume
- Answer call waiting

I-2-4. LED

There are two LED colors (blue and red) to indicate the state of this Car-Kit.

I-2-5. DC Socket

It serves as a recharging power socket for rechargeable batteries or supplies the power to the Blumax Speech 001 when the car charger is connected to your car.

I-2-6. Built-in Microphone

It allows you to communicate with good voice quality.

I-2-7. Speaker

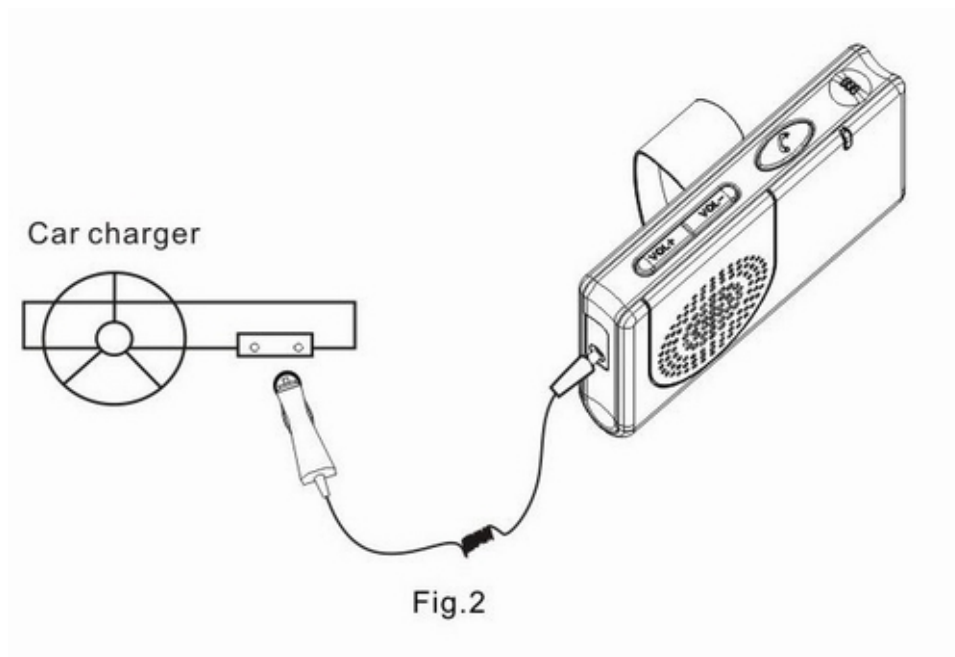
I-2-8. Battery Door

Loading and unloading rechargeable batteries by opening the battery door.

I-2-9. Visor Clip

Clip the Blumax Speech 001 under your car's sun visor.

II. How to Use



II-1. Charge the Batteries (please refer to Fig.2)

Thank you for buying the Bluetooth Blumax Speech 001.

Before you use it for the first time, please charge the batteries for 6 hours.

After this, you can fully charge the batteries in 4 hours.

Warning: Use only rechargeable batteries.

II-2. Turn on the Blumax Speech 001

If the Blumax Speech 001 is powered off, press and hold “On/Off ” for 2 seconds. A long tone will indicate that the Blumax Speech 001 has turned on. At the same time, the blue LED will flash for a second. And then, the blue LED will keep on flashing every 3 seconds.

II-3. Pair the Blumax Speech 001 with Your Bluetooth Mobile Phone

II-3-1. Put the Blumax Speech 001 in pairing mode

When the Blumax Speech 001 is powered off, press and hold “On/Off ” for 5 seconds. In the first 2 seconds, a long tone will indicate that the Blumax Speech 001 has turned on. At the same time, the blue LED will flash for a second. At the end of the 5 seconds, a double tone will be heard. Then the red and blue LEDs will flash alternately, which indicates the Blumax Speech 001 has entered into pairing mode.

Note: Make Sure the batteries are fully charged.

II-3-2. Put your Bluetooth Mobile Phone in pairing mode

II-3-2-1. Follow the operation manual of your Bluetooth mobile phone to start the pairing process. Typically, this has to be done by going to a setup or connect menu and then selecting the options to show Bluetooth devices. Bluetooth may take several seconds to establish a connection.

II-3-2-2. Your phone's display will indicate that it has found the new device “BLUMAX SPEECH 001 ”. When you want to pair it, the phone's display would demand a passkey or PIN, then you can enter a sequence of “0000”.

II-3-3. Pair the Blumax Speech 001 with your Bluetooth Mobile Phone

The blue LED of the Blumax Speech 001 will flash every 2 seconds indicating successful pairing. The phone may also ask whether you want to change the Blumax Speech 001's name. We recommend you should keep the name “BLUMAX SPEECH 001” so please do not change it.

Note: If pairing does not occur as expected, turn off the Blumax Speech 001 and your phone, then wait for 10 seconds. Turn them on again and repeat from Step 3-1 to Step3-3.

II-4. Establish Bluetooth Link

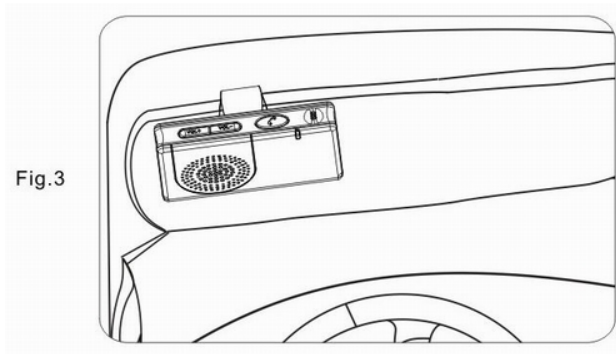
After pairing, the mobile phone should show a “connect” menu. Please select it to establish the link. A beep tone will indicate that the Blumax Speech 001 is connected. You are now ready to make and answer calls on the Blumax Speech 001. The Blumax Speech 001 is able to connect to 2 mobile phones at the same time. To connect two mobile phones:

1. Pair with mobile phone 1 (steps II-3-1 to II-3-3);
2. Pair with mobile phone 2 (steps II-3-1 to II-3-3);
3. Connect mobile phone 1 (steps II-4);
4. Connect mobile phone 2 (steps II-4).

It will operate with the last connected or activated mobile phone and automatically switch between them.

Note: While connecting the Blumax Speech 001 to a mobile phone, do not use it with another phone.

II-5. Clip the Blumax Speech 001 onto Your Sun Visor (Please refer to Fig. 3)



II-6. Answer an Incoming Call

When an incoming call is present, the Blumax Speech 001 will ring. Press “On/Off ” and you can answer the call. The blue LED will continue to flash once a second while the call is in session.

II-7. Transfer Calls between This Blumax Speech 001 and Your Bluetooth Phone

When you are in session, calls can be transferred from your Bluetooth phone to the Blumax Speech 001 and vice versa.

II-7-1. From the Bluetooth phone to the Blumax Speech 001

Press “On/Off ” once, the call will be transferred to the Blumax Speech 001.

II-7-2. From the Blumax Speech 001 to the Bluetooth Phone

Please follow the operation manual of your phone.

II-8. Make a New Call by using Voice Dialing

II-8-1. When using a Bluetooth Mobile Phone:

II-8-1-1. Press “On/Off ” on the Blumax Speech 001 shortly when the Blumax Speech 001 is in standby mode.

Note: Make sure that the voice dialing function is properly set up in the mobile phone and it is within the range of the Blumax Speech 001 .

II-8-1-2. Put through the call

After the beep tone on the Blumax Speech 001, you can make a voice dial by saying the name of the person on the Blumax Speech 001. The call will be connected in a few seconds.

II-9. Answer the call waiting

If during the active call in session another call is coming, pressing “Volume Down” for 2 seconds will make the mobile phone to switch to the waiting call and place the active call on hold. Press “Volume Down” for 2 seconds again, the mobile phone will come back to the first active call.

II-10. Mute the Microphone

II-10-1. To mute a call

Press “Volume Up” for 2 seconds and a beep tone will indicate that the microphone is muted. A periodic reminder tone will be heard while the mute function is active.

II-10-2. To un-mute a call

When the microphone is muted, press “Volume Up” for 2 seconds. Then the mute function is deactivated and the periodic reminder tone will stop.

II-11. End a Call

While a call is in session on the Blumax Speech 001 , press “On/Off ” and you will disconnect the call. A long tone will indicate that the call has ended. After the call is disconnected, the blue LED will flash normally.

II-12. Reject a Call

When the Blumax Speech 001 is ringing, press “On/Off” for 2 seconds. Ringing will stop and a long tone will indicate that the call is rejected.

II-13. Redial Last Dialed Number

To redial the last dialed number, press “Volume Down ” for 2 seconds when the Blumax Speech 001 is in standby mode. A beep tone will indicate an attempt to redial.

II-14. Adjust the Speaker Volume

While a call is in session, pressing and releasing “Volume Up” will increase the speaker volume, and pressing and releasing “Volume Down ” will decrease the speaker volume. A double tone will be heard whenever the volume limit is reached.

II-15. Recharge the Low Batteries (please refer to Fig.2)

The LED of this Blumax Speech 001 will flash red instead of blue when the battery is low. There will also be a tone every 2 minutes. Please connect the charger cable to the Blumax Speech 001 .

II-15-1. During recharging

The LED shows a steady red light if the Blumax Speech 001 is off, and the red light will dim once every 3 second while the Blumax Speech 001 is on.

II-15-2. Fully charged

A steady blue LED represents the Blumax Speech 001 is off and fully charged.

And a blue LED dims once every 3 seconds while the Blumax Speech 001 is on and fully charged.

Note: When the battery level is too low, the Blumax Speech 001 will automatically power off. It cannot be powered on again unless the batteries are sufficiently charged.

II-16. Turn off the Blumax Speech 001

When the Blumax Speech 001 is on, press and hold “On/Off ” for 5 seconds. A long tone will indicate that the Blumax Speech 001 starts to power off. The LED continues to flash for a few seconds. At last the LED will turn off and the Blumax Speech 001 is powered off.

II-17. Auto connection to the Bluetooth Mobile Phone

The Blumax Speech 001 has already been paired with a Bluetooth mobile phone. If it is turned off and turned on again, it will search for an available Bluetooth link. If the previously paired mobile phone's Bluetooth feature is on, the Blumax Speech 001 and the mobile phone will re-establish the Bluetooth link automatically.

II-18. Auto power off

In order to save power, the Blumax Speech 001 will turn off automatically after it is disconnected from the Bluetooth link for an hour.

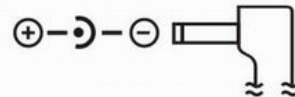
III. Maintenance and Safe Use

- Use dry cloth to clean the Blumax Speech 001!
- Recycle the batteries after their life time!
- Do not expose the Blumax Speech 001 to liquid or moisture!
- Do not expose the Blumax Speech 001 to fire or open flames!

IV. Electrical Power Specification of the Car Charger / AC Power Adaptor for BLUMAX SPEECH 001

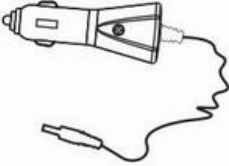

The electrical power specification of car charger / AC adaptor for Bluetooth Blumax Speech 001 is as follows:

Input: 11-24VDC
Output: 5V $\overline{\text{---}}$ 1.0A



V. Package Contents

V. Package Contents

	Accessories	Status
	1 x Car Charger	Provided
	3 x AAA Rechargeable Batteries	Provided

Warning: Use only rechargeable batteries.

Disclaimer: Talk time and stand-by time of the Bluetooth Blumax Speech 001 will vary depending on mobile phone model being used.

Note: BQB, CE and FCC approved

The Bluetooth word mark and logos are owned by the Bluetooth SIG, Inc. and any use of such marks by

In-Tech Electronics Ltd. is under license. Other trademarks and trade names are those of their respective owners.

Bluetooth functions and operations may not be available or may vary depending on different mobile phones

Federal Communication Commission Interference Statement

This equipment has been tested and found to comply with the limits for a Class B digital device, pursuant to Part 15 of the FCC Rules. These limits are designed to provide reasonable protection against harmful interference in a residential installation. This equipment generates, uses and can radiate radio frequency energy and, if not installed and used in accordance with the instructions, may cause harmful interference to radio communications. However, there is no guarantee that interference will not occur in a particular installation. If this equipment does cause harmful interference to radio or television reception, which can be determined by turning the equipment off and on, the user is encouraged to try to correct the interference by one of the following measures:

- Reorient or relocate the receiving antenna.
- Increase the separation between the equipment and receiver.
- Connect the equipment into an outlet on a circuit different from that to which the receiver is connected.
- Consult the dealer or an experienced radio/TV technician for help.

This device complies with Part 15 of the FCC Rules. Operation is subject to the following two conditions:
(1) This device may not cause harmful interference, and
(2) this device must accept any interference received, including interference that may cause undesired operation.

FCC Caution: Any changes or modifications not expressly approved by the party responsible for compliance could void the user's authority to operate this equipment.

IMPORTANT NOTE:

FCC Radiation Exposure Statement:

This equipment complies with FCC radiation exposure limits set forth for an uncontrolled environment. This equipment should be installed and operated with minimum distance 20cm between the radiator & your body.

This transmitter must not be co-located or operating in conjunction with any other antenna or transmitter.

Declaration of Conformity (DOC)

We, Company : **Blumax Technologies**
with our ,
Product(s): BLUMAX SPEECH 001
Model No.: 001

is conformed to comply with the protection requirements of the Directive(s):

EC EMC Directive 89/336/EEC
EC Radio Directive 1995/5/EEC
EC Low Voltage Directive 73/23/EEC & 93/68/EEC
Automotive EMC Directive 2004/104/EC
CE Test Standards:
EN 300 328-1 v.1.6.1(2004-11)
EN 301 489-1 v.1.6.1(2005-09)
EN 301 489-17 v.1.2.1 (2002-08)
EN55022:1998 +A1:2000, +A2:2003
EN 61000-4-2: 1955+A1: 1998+A2: 2001
EN 61000-4-3: 2002+A1: 2002
EN 61000-4-4: 2004
EN 61000-4-6: 1996+A1: 2001
EN 50371: 2002
EN 60950-1: 2001
ISO 7637-2: 2004

BQB Listing No: CS81XX

The following manufacturer is responsible for this declaration:

Blumax Technologies



■ If at any time in the future you should need to dispose of this product please note that: Waste electrical products should not be disposed of with household waste. Please recycle where facilities exist. Check with your Local Authority or retailer for recycling advice.
(Waste Electrical and Electronic Equipment Directive)